

**1**



**BEFORE COMMENCING WORK, ISOLATE THE MAINS POWER SUPPLY AND REMOVE THE FUSE IN THE FUSE BOX OR SWITCH OFF THE CIRCUIT BREAKER IN THE CONSUMER UNIT.**



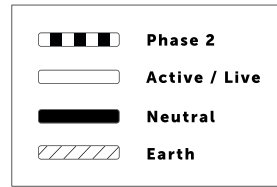
**2**

**If unit is to be used as a replacement for an existing product, remove existing unit from its location and disconnect the wiring.**



**CAUTION:** Verify power is OFF to switch before proceeding.

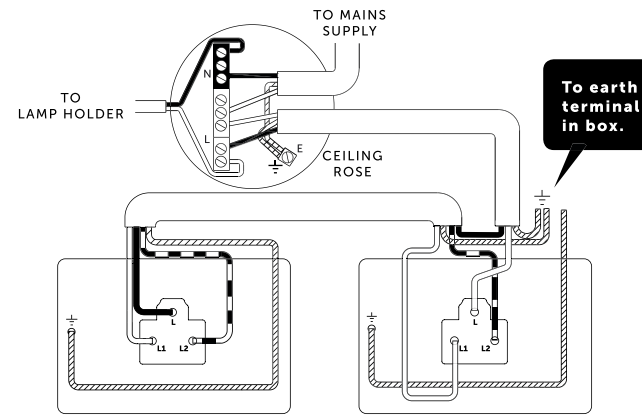
**3**



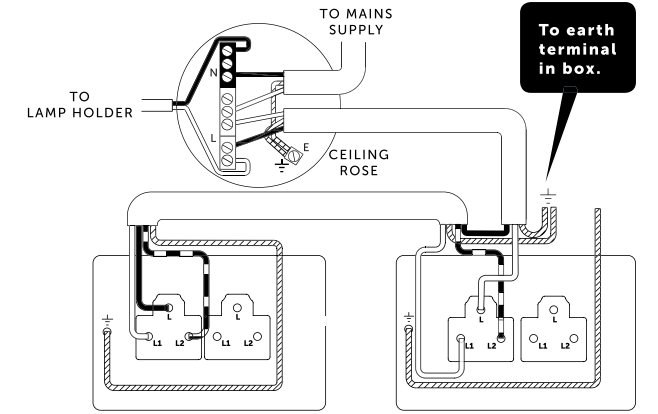
**Connect the wires as shown in appropriate wiring diagrams. Use green/yellow sleeving on earth conductors that are not insulated. Ensure terminals are properly tightened and no bare wire is visible. Push back unit into moulding box making sure conductors are not trapped.**

**NOTE:** The plate must be earthed at the earth point

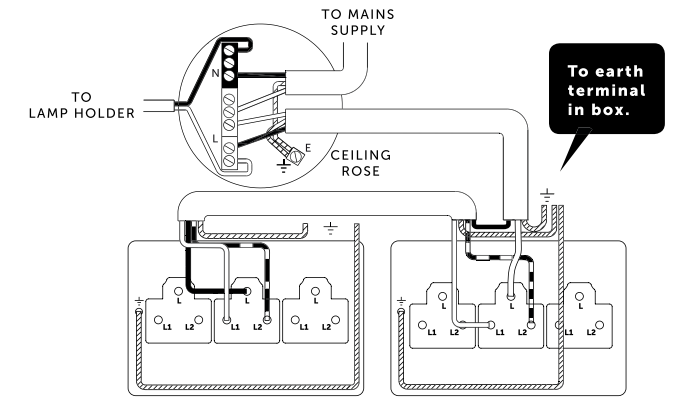
**3 a) 1 GANG 2 WAY 10AX AND TOGGLE SWITCH**



**3 b) 2 GANG 2 WAY 10AX AND TOGGLE SWITCH**

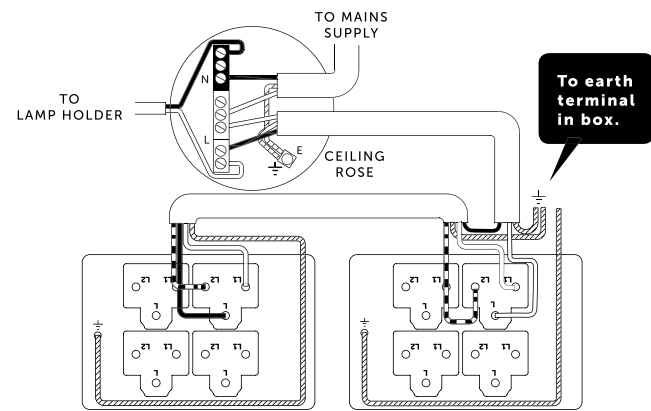


**3 c) 3 GANG 2 WAY 10AX AND TOGGLE SWITCH**



**3 d) 4 GANG 2 WAY 10AX AND TOGGLE SWITCH**

**NOTE:** To ensure your toggles operate in the same orientation for on and off for the top and bottom rows, you need to wire your top row of toggles in same order to the bottom row.

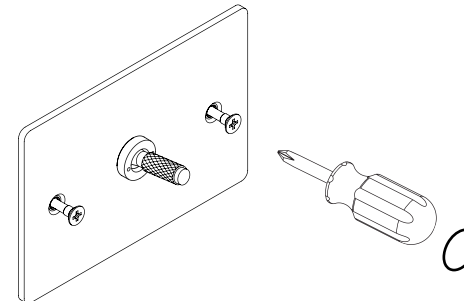


**4**

**Use a cross head electric or manual screwdriver to fit the special countersunk screws until tight.\***

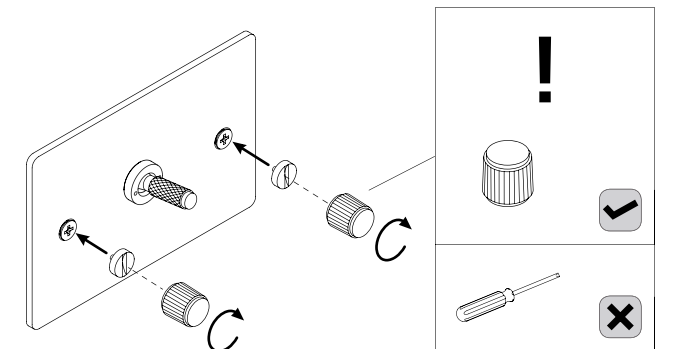


**CAUTION:** To reduce the risk of discolouration or tarnishing, avoid installation on wet plaster.



**5**

**By hand, screw the coin caps into the end of the screws. Use the plastic coin cap tool to fully tighten the coin caps.\*\***



**\*\* Do NOT use a standard screw driver to tighten the coin caps. This may damage the cap and is not covered under warranty. Plastic coin cap tool must be used by hand only.**

**6**

**Turn power back on.**



EN

**TECHNICAL SPECIFICATION**

STANDARD 2 WAY SWITCH.  
RATED AT 10AX 250V- AC ONLY.  
APPROVAL NO. SAA-171697-EA.

**IMPORTANT NOTES**

PLEASE READ BEFORE INSTALLING

- All wiring and installation must adhere to the latest local and national wiring rules - e.g. AS/NZS 3000 in Australia & New Zealand.
- Must be installed by a licensed electrician.
- Do not exceed the rated power input specification.
- This product is suitable for indoor use only.



**WARNING:** The two mounting screws on the faceplate must be well tightened to maintain the earthing continuity. Check their earthing continuity by multimeter before screw on the decorative cap. The resistance between the two mounting screws must not exceed 0.1 Ω.

**WARRANTY INFORMATION**

The Warranty Period of Two (2) years from the date of the original purchase.

**RECYCLING ELECTRICAL PRODUCTS**

Buster and Punch encourages all its customers to make note of this symbol and avoid putting any waste electrical goods in your domestic waste bin or container. Please ensure you take your waste electrical goods to a suitable facility for disposal.



\* Please ensure screws are sufficiently tight to support the product but please do not over tighten as this may cause some deformation to the plate or damage the screw.